

GENERAL

Sprinkler hoses are flexible braided hoses that links the fire line to the sprinkler and they are not affected by seismic activity. The technology, which shortens work times, decreases time-related costs while the carefully developed connecting apparatus offers a dependable installation at high pressures without burdening the ceiling. With proper installation, sprinkler connection hoses, which are preferred in public spaces (such as hospitals, hotels, and retail centers), can be used in fire installations securely for a lifetime.



Hose Fixing Clamp



Ceiling Suspension Profile (Galvanised)



Side Support Clamps



SPR 20

SPR 25

USAGE AREAS

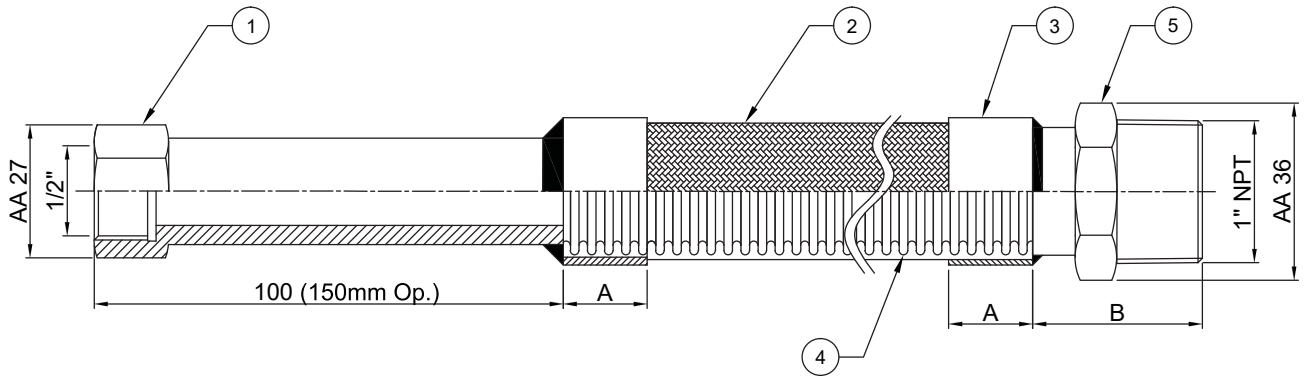
Shopping Malls, Airports, Hotels, Hospitals, High-rise Buildings, Public Buildings

ADVANTAGES

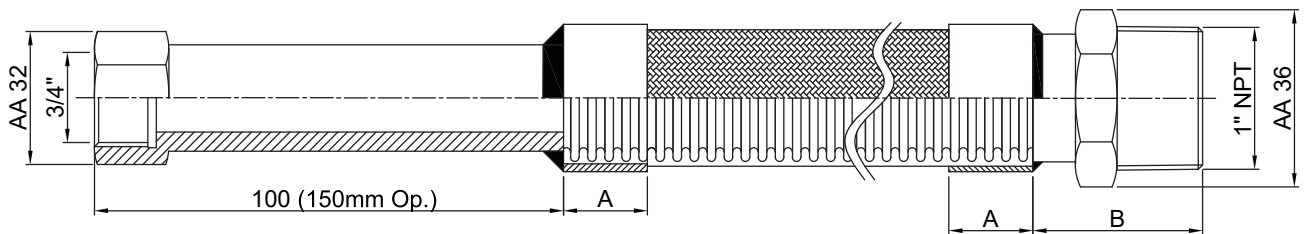
- Labor costs are very low
- Flexible structure of the hose makes it vibration-resistant
- The seismic motions that will take place during an earthquake can be easily absorbed by it,
- It is easily adjustable between the ceiling and the main pipeline thanks to its flexible structure

Standard Product Materials		Optional Product Materials	
Hose	1.4301 (AISI 304)	Hose	1.4401 (AISI 316)
Braid	1.4301 (AISI 304)	Braid	1.4401 (AISI 316)
Fittings	1.0038 (St 37-2)	Fittings	Stainless Steel

Design Parameters	
Design Pressure	232 psi
Design Temperature	200 °C (max.)
Connection Dia.	DN20 - DN25
Certifications	FM Approved



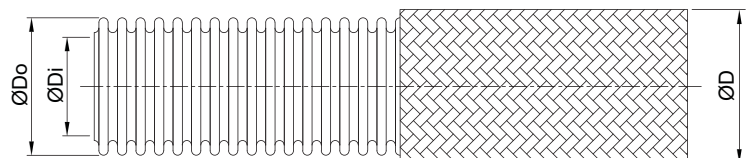
1/2" Connection



3/4" Connection

Part Number	Properties	
	Part Name	Material
1	Sprinkler Connector End	1.0038 (S235)R / St37-2)
2	Braid	1.4301 (AISI 304)
3	Braid Holder	1.4301 (AISI 304)
4	Hose	1.4301 (AISI 304)
5	Fire-Line Connector	1.0038 (S235)R / St37-2)

Model	Hose Dia.	Sprinkler Dia.	Fire Line Connection	Standard Length
SPR20	DN20	1/2", 3/4"	1"	500, 700, 1000, 1200, 1500
SPR25	DN25	1/2", 3/4"	1"	500, 700, 1000, 1200, 1500



Model	ØD (mm)	ØDo (mm)	ØDi (mm)	A (mm)	B (mm)	Min. Bending Radius (mm)	Weight (kg/m)
SPR20	27,6	26,1	20,5	15	35	200	0,55
SPR25	32,5	31,3	25	18	36	200	0,6

- Please contact our sales team for different connection sizes and materials.
- Standard length of Ceiling Suspension Profile is 700mm. Please contact our sales team for different lengths.

INSTALLATION DETAILS



The sprinkler hose's 1" nipple section is attached to the fire line's T or sleeve.



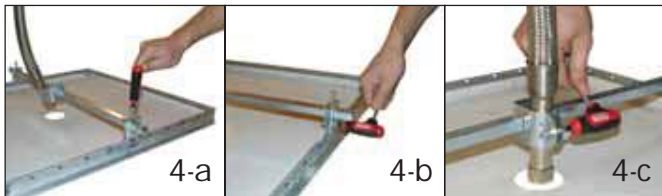
As shown in Figure 2-A, the box profile, right- and left-side supports and central clamp are joined. It must be noted that this measure is accurate only when there is no contact between the rotating and stationary components, i.e. in shaft-free conditions.



To keep it equal from the edges, the box profile should be changed on the side supports. The connection set is then attached to the ceiling's T-profile as shown in Figure 2-B.



As seen in figure 3, the remaining 1/2" of the sprinkler line is fed to the middle clamp.



To close the gap, the bolts on the right and left side supports, as well as the bolt on the central clamp, are tightened.



Finally, the hole in the suspended ceiling's middle is centered with the sprinkler hose. The end of the hose should remain at the upper level of the ceiling tile by completely tightening the side supports from the top and sides and clamping them at the center point. The sprinkler nozzle can be repositioned if there is an axial misalignment after installation.