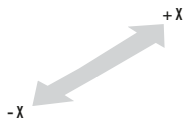


Product Code	Definition
BK50 - D	Decorative Type Expansion Joint Threaded Axial ± 25 mm Expansion
BK50 - KB	Decorative Type Expansion Joint Welding Ends Axial ± 25 mm Expansion

GENERAL

Pipe expansion joints are expansion parts which can absorb expansion, vibration and noise in axial direction. Expansion and compression due to temperature differences in the column lines of high-rise buildings and the resulting bends, noises are absorbed by decorative type pipe expansion joints. These expansion joints, which are required to be used in the column lines of buildings higher than 6-7 floors, should be used in a maximum of 30 meters (10 floors). Decorative type expansion joints can be used in residences, hotels and visible spaces with their aesthetic appearance. The inner shell prevents pressure losses and misalignments, while the outer shell protects the expansion joint against external influences.



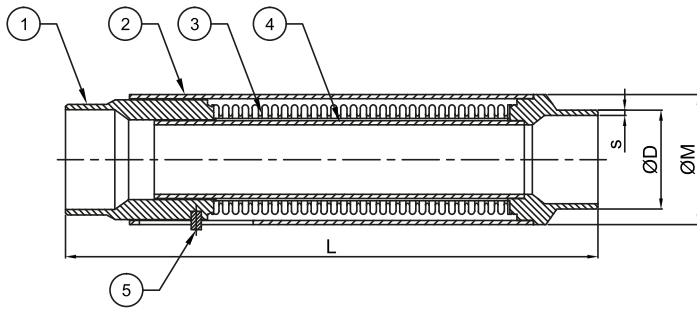
Standard Product Materials

Bellows	1.4301 (AISI 304)
Inside / Outside Pipe	1.0038 (St 37-2)
Connection	1.0038 (St 37-2)

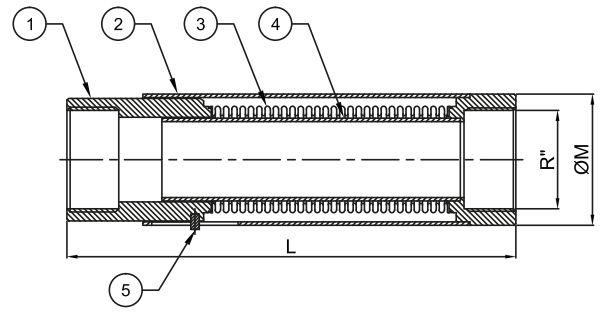
Design Parameters

Design Pressure	16 Bar
Design Temperature	+20 °C (Up to +100°C)
Diameters	DN25 (1")...DN100 (4")
Movements	50mm (-25, +25)
Design Standards	EJMA
Certifications	TSE

**Please contact our sales team for your special requests.



BK50-KB



BK50-D

Part Number	Specifications	
	Name	Material
1	Connection (Welding Ends / Threaded)	1.0038 (S235JR / St37-2)
2	Outside Pipe	1.0038 (S235JR / St37-2)
3	Bellows	1.4301 (AISI 304)
4	Inside Pipe	1.0038 (S235JR / St37-2)
5	Limit Pin	1.0038 (S235JR / St37-2)

Diameters	LENGTH (L = mm)	Ø M (mm)
	BK50-D	
R 1"	260	48,3
R 1 1/4"	260	51
R 1 1/2"	260	60,5
R 2"	260	76

Diameters	LENGTH (L = mm)	Ø D (mm)	s (mm)	Ø M (mm)
	BK50-KB			
DN25	260	33,7	3,2	48,3
DN32	260	42,4	3,2	51
DN40	260	48,3	3,2	60,5
DN 50	260	60,3	3,6	76
DN 65	260	76,1	3,6	88,9
DN 80	260	88,9	4	114,3
DN 100	260	114,3	4,5	139,7