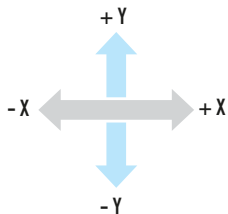


Product Code	Definition
DK25 - YV	Dilatation Expansion Joint With Tie Rods Grooved ± 25 mm Expansion
DK50 - YV	Dilatation Expansion Joint With Tie Rods Grooved ± 50 mm Expansion
DK75 - YV	Dilatation Expansion Joint With Tie Rods Grooved ± 75 mm Expansion
DK100 - YV	Dilatation Expansion Joint With Tie Rods Grooved ± 100 mm Expansion

GENERAL

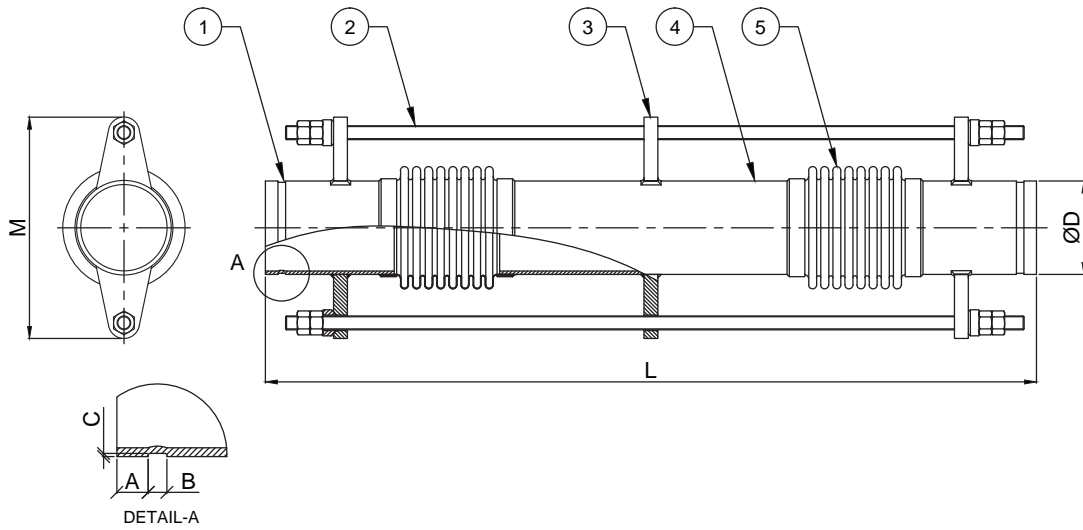
Dilatation expansion joints are the interconnection elements that ensure uninterrupted and efficient operation of the installation in the joints of buildings with different foundations (Dilatation), by absorbing strain and rupture that can occur in the pipelines due to building collapses or earthquakes, and lateral deviations. These types of expansion joints consisting of double bellows can be fixed to the desired expansion amounts by using limit rods. They can be used at all Dilatation points in building passages.



Standard Product Materials		Optional Product Materials
Bellows	1.4301 (AISI 304)	1.4541 / 1.4401 / Titanium / Incoloy 800H / Inconel etc.
Tie Rod Holders	1.0038 (St 37-2)	Stainless Steel
Grooved Connections	1.0038 (St 37-2)	Stainless Steel
Intermediate Pipe	1.0038 (St 37-2)	Stainless Steel

Design Parameters	
Design Pressure	16 Bar (1 Bar...64 Bar)
Design Temperature	+20 °C (-90°C...+550°C)
Diameters	DN25 (1")...DN2500 (100")
Movements	X:60mm (± 30), Y:50mm (± 25) / 100mm (± 50) / 150mm (± 75) / 200mm (± 100)
Design Standards	EJMA, EN 14917
Certifications	TSE, CE - Module H (Optional) - EAC

**Please contact our sales team for your special requests.



Part Number	Specifications	
	Name	Material
1	Grooved Connection	1.0038 (S235JR / St37-2)
2	Tie Rod	1.0038 (S235JR / St37-2)
3	Tie Rod Holder	1.0038 (S235JR / St37-2)
4	Intermediate Pipe	1.0038 (S235JR / St37-2)
5	Bellows	1.4301 (AISI 304)

Diameters		LENGTH (L = mm)				A (mm)	B (mm)	C (mm)	ØD (mm)	M (mm)	Effective Area (cm²)
		DK25-YV	DK50-YV	DK75-YV	DK100-YV						
		X: ±30mm Y: ±25mm	X: ±30mm Y: ±50mm	X: ±30mm Y: ±75mm	X: ±30mm Y: ±100mm						
DN25	1"	550	650	750	850	15,8	7,1	1,6	33,7	136	19,0
DN32	1 1/4"	550	650	750	850	15,8	7,1	1,6	42,4	136	19,0
DN40	1 1/2"	550	650	750	850	15,8	7,1	1,6	48,3	147	24,7
DN50	2"	620	720	820	920	15,8	8,7	1,6	60,3	163	38,7
DN65	2 1/2"	620	720	820	920	15,8	8,7	1,9	76,1	190	58,0
DN80	3"	670	770	870	970	15,8	8,7	1,9	88,9	212	80,5
DN100	4"	670	770	870	970	15,8	8,7	2,1	114,3	245	129,0
DN125	5"	710	910	1010	1110	15,8	8,7	2,1	139,7	290	191,8
DN150	6"	710	910	1010	1110	15,8	8,7	2,1	165,1	340	262,7
DN200	8"	760	960	1050	1160	19,0	11,9	2,3	219,1	420	453,5
DN250	10"	860	1060	1150	1260	19,0	11,9	2,3	273	495	698,4
DN300	12"	945	1150	1245	1345	19,0	11,9	2,7	323,9	575	967,0

** X,Y value represents axial, lateral movements. Please contact our technical department for different movement requirements.