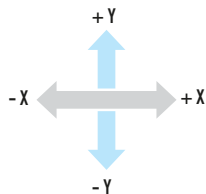


Product Code	Definition
DK25 - GD	Dilatation Expansion Joint With Tie Rods Threaded Galvanised $\pm 25$ mm Expansion
DK50 - GD	Dilatation Expansion Joint With Tie Rods Threaded Galvanised $\pm 50$ mm Expansion
DK75 - GD	Dilatation Expansion Joint With Tie Rods Threaded Galvanised $\pm 75$ mm Expansion
DK100 - GD	Dilatation Expansion Joint With Tie Rods Threaded Galvanised $\pm 100$ mm Expansion

## GENERAL

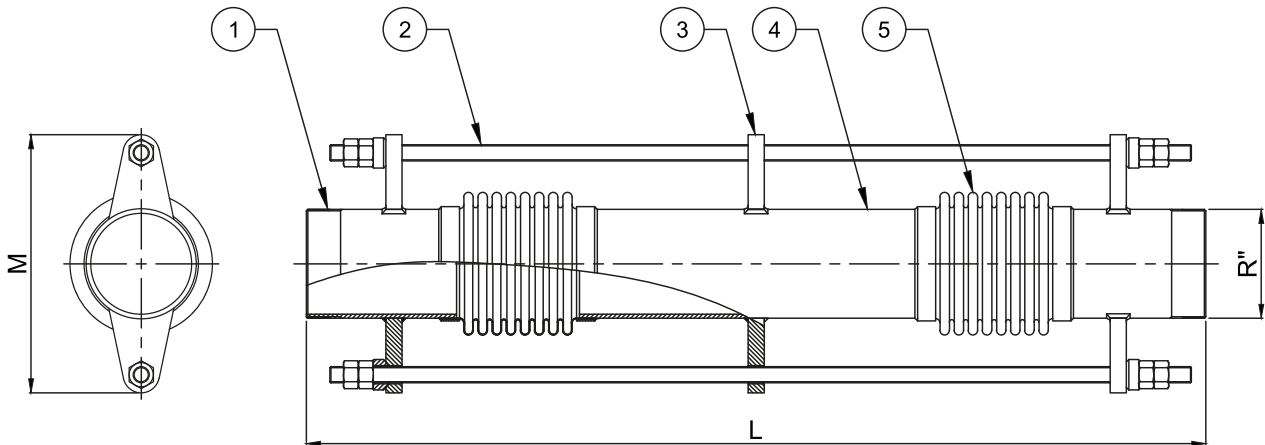
Dilatation expansion joints are the interconnection elements that ensure uninterrupted and efficient operation of the installation in the joints of buildings with different foundations (Dilatation), by absorbing strain and rupture that can occur in the pipelines due to building collapses or earthquakes, and lateral deviations. These types of expansion joints consisting of double bellows can be fixed to the desired expansion amounts by using limit rods. They can be used at all Dilatation points in building passages.



Standard Product Materials		Optional Product Materials
Bellows	1.4301 (AISI 304)	1.4541 / 1.4401 / Titanium / Incoloy 800H / Inconel etc.
Tie Rod Holders	1.0038 (St 37-2 Galvanised)	Stainless Steel
Threaded Connections	1.0038 (St 37-2 Galvanised)	Stainless Steel

Design Parameters	
Design Pressure	16 Bar (1 Bar...64 Bar Optional)
Design Temperature	+20 °C
Diameters	DN25 (1")...DN300 (12")
Movements	X:60mm ( $\pm 30$ ), Y:50mm ( $\pm 25$ ) / 100mm ( $\pm 50$ ) / 150mm ( $\pm 75$ ) / 200mm ( $\pm 100$ )
Design Standards	EJMA, EN 14917
Certifications	TSE, CE - Module H (Optional) - EAC

\*\*Please contact our sales team for your special requests.



Part Number	Specifications	
	Name	Material
1	Threaded Connection	1.0038 (S235JR / St37-2 - Galvanised)
2	Tie Rod	1.0038 (S235JR / St37-2 - Galvanised)
3	Tie Rod Holder	1.0038 (S235JR / St37-2 - Galvanised)
4	Intermediate Pipe	1.0038 (S235JR / St37-2 - Galvanised)
5	Bellows	1.4301 (AISI 304)

Diameters	LENGTH (L = mm)				M (mm)	Effective Area (cm <sup>2</sup> )
	DK25-GD	DK50-GD	DK75-GD	DK100-GD		
	X: ±30mm Y: ±25mm	X: ±30mm Y: ±50mm	X: ±30mm Y: ±75mm	X: ±30mm Y: ±100mm		
R 1"	770	870	970	1070	136	19,0
R 1 1/4"	650	750	850	950	136	19,0
R 1 1/2"	650	750	850	950	147	24,7
R 2"	720	820	920	1020	163	38,7
R 2 1/2"	720	820	920	1020	190	58,0
R 3"	770	870	970	1070	212	80,5
R 4"	770	870	970	1070	245	129,0
R 5"	810	1010	1110	1210	290	191,8
R 6"	810	1010	1110	1210	340	262,7

\*\* X,Y value represents axial, lateral movements. Please contact our technical department for different movement requirements.