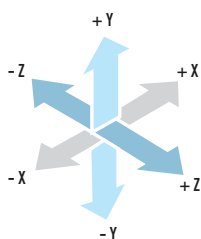


Product Code	Definition
KM100 - YV	Dilatation & Earthquake Expansion Joint Grooved $\pm 50$ mm Expansion
KM200 - YV	Dilatation & Earthquake Expansion Joint Grooved $\pm 100$ mm Expansion
KM300 - YV	Dilatation & Earthquake Expansion Joint Grooved $\pm 150$ mm Expansion
KM400 - YV	Dilatation & Earthquake Expansion Joint Grooved $\pm 200$ mm Expansion

## GENERAL

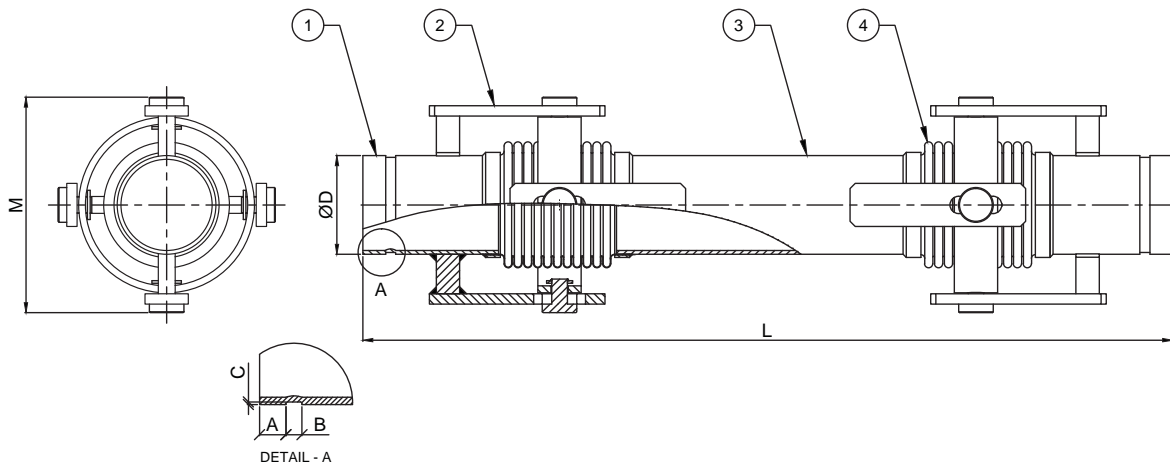
Dilatation & Earthquake expansion joints are the flexible connection elements that minimize the risk of breakage that may occur in the system as a result of seismic (earthquake, building collapses, etc.) movements by damping the three dimensional movement as axial, lateral and angular and provide the continuity of the system by removing the stress on the rigid pipe. The Dilatation & Earthquake Expansion joints, which are designed to meet the movement in three different directions (axial, lateral and angular) are widely used in HVAC piping systems. They can also be used in places such as all building passages, Dilatation points etc.



Standard Product Materials		Optional Product Materials
Bellows	1.4301 (AISI 304)	1.4541 / 1.4401 / Titanium / Incoloy 800H / Inconel etc.
Joint Arms	1.0038 (St 37-2)	Stainless Steel
Grooved Connections	1.0038 (St 37-2)	Stainless Steel
Intermediate Pipe	1.0038 (St 37-2)	Stainless Steel

Design Parameters	
Design Pressure	16 Bar (1 Bar...64 Bar)
Design Temperature	+20 °C (-90°C...+550°C)
Diameters	DN25 (1")...DN300 (12")
Movements	X: $\pm 50$ mm, Y,Z: $\pm 50$ mm / Y,Z: $\pm 100$ mm / Y,Z: $\pm 150$ mm / Y,Z: $\pm 200$ mm
Design Standards	EJMA, EN 14917
Certifications	TSE, CE - Module H (Optional) - EAC

\*\*Please contact our sales team for your special requests.



Part Number	Specifications	
	Name	Material
1	Grooved Connection	1.0038 (S235JR / St37-2 - Galvanised)
2	Joint Arm	1.0038 (S235JR / St37-2 - Galvanised)
3	Intermediate Pipe	1.0038 (S235JR / St37-2 - Galvanised)
4	Bellows	1.4301 (AISI 304)

Diameters		LENGTH (L = mm)				A (mm)	B (mm)	C (mm)	ØD (mm)	M (mm)	Effective Area (cm <sup>2</sup> )
		KM100-YV	KM200-YV	KM300-YV	KM400-YV						
		X: ±50mm Y: ±50mm Z: ±50mm	X: ±50mm Y: ±100mm Z: ±100mm	X: ±50mm Y: ±150mm Z: ±150mm	X: ±50mm Y: ±200mm Z: ±200mm						
DN25	1"	710	910	1110	1310	15,8	7,1	1,6	33,7	170	19,0
DN32	1 1/4"	710	910	1110	1310	15,8	7,1	1,6	42,4	170	19,0
DN40	1 1/2"	710	910	1110	1310	15,8	7,1	1,6	48,3	170	24,7
DN50	2"	770	970	1170	1380	15,8	8,7	1,6	60,3	195	38,7
DN65	2 1/2"	770	970	1220	1480	15,8	8,7	1,9	76,1	210	58,0
DN80	3"	820	1020	1250	1480	15,8	8,7	1,9	88,9	220	80,5
DN100	4"	820	1020	1280	1530	15,8	8,7	2,1	114,3	265	129,0
DN125	5"	950	1150	1460	1750	15,8	8,7	2,1	139,7	310	191,8
DN150	6"	950	1150	1460	1750	15,8	8,7	2,1	165,1	335	262,7
DN200	8"	1120	1340	1690	2040	19,0	11,9	2,3	219,1	425	453,5
DN250	10"	1120	1340	1690	2040	19,0	11,9	2,3	273	470	698,4
DN300	12"	1080	1430	1830	2230	19,0	11,9	2,7	323,9	570	967,0

\*\* X,Y,Z value represents axial, lateral, angular movements. Please contact our technical department for different movement requirements.