

Product Code	Definition
EMK30 - SF	Axial Metal Expansion Joints 30mm Expansion Fixed Flange
EMK30L - SF	Axial Metal Expansion Joints 30mm Expansion With Inner Sleeve Fixed Flange
EMK60 - SF	Axial Metal Expansion Joints 60mm Expansion Fixed Flange
EMK60L - SF	Axial Metal Expansion Joints 60mm Expansion With Inner Sleeve Fixed Flange

GENERAL

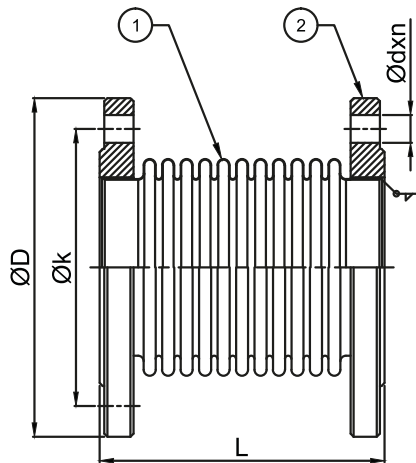
Axial expansion joints are designed to absorb expansion and compression movements in the longitudinal axial direction in the pipelines. Axial type expansion joints can absorb the vibrations in the pump, fan and pipe systems, and thermal expansions that will occur due to temperature difference by fixing a flat part of the pipeline between two points. Liner used in the axial expansion joints both ensures the flow to be laminar and increases the working life of the expansion joint. In the order phase, the total amount of motion, the type of fluid in the line, the location of use, the type of connection, the working pressure and the temperature of the system should be specified.



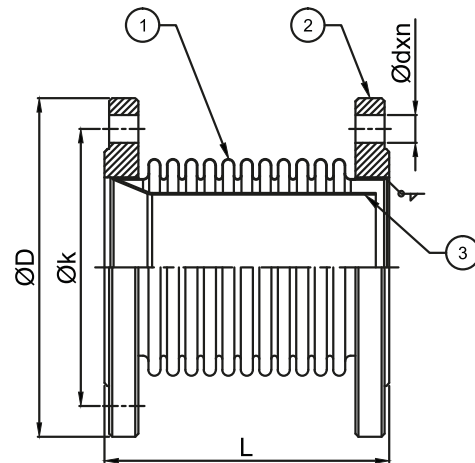
Standard Product Materials		Optional Product Materials
Bellows	1.4301 (AISI 304)	1.4541 / 1.4401 / Titanium / Incoloy 800H / Inconel etc.
Inner Sleeve	1.4301 (AISI 304)	1.4541 / 1.4401 / Titanium / Incoloy 800H / Inconel etc.
Flange	1.0038 (St 37-2 Galvaniz)	Stainless Steel

Design Parameters	
Design Pressure	16 Bar (1 Bar...40 Bar Optional)
Design Temperature	+20 °C (-90°C...+550 °C Optional)
Diameters	DN25 (1")...DN2500 (100")
Movements	30mm (-20, +10) / 60mm (-40, +20)
Design Standards	EJMA, EN 14917
Certifications	TSE, CE - Module H (Optional) , EAC

**Please contact our sales team for your special requests.



EMK...-SF



EMK...L-SF

Part Number	Specifications	
	Name	Material
1	Bellows	1.4301 (AISI 304)
2	Flange	1.0038 (S235JR / St37-2)
3	Inner Sleeve	1.4301 (AISI 304)

Diameters		LENGTH (L = mm)				ØD (mm)	Øk (mm)	Ød x n (mm)	Effective Area (cm ²)	Axial Spring Rate (N/mm)	
		EMK30-SF	EMK30L-SF	EMK60-SF	EMK60L-SF					X:30mm	X:60mm
		X:30mm	X:30mm	X:60mm	X:60mm						
DN25	1"	110		170	115	85	14*4	19,0	63,7	37,1	
DN32	1 1/4"	110		170	140	100	18*4	19,0	63,7	37,1	
DN40	1 1/2"	120		180	150	110	18*4	24,7	53,4	31,5	
DN50	2"	120		180	165	125	18*4	38,7	87,6	53,5	
DN65	2 1/2"	120		180	185	145	18*4	58,0	99,4	66,2	
DN80	3"	120		180	200	160	18*8	80,5	74,3	46,4	
DN100	4"	120		185	220	180	18*8	129,0	138,2	82,9	
DN125	5"	125		190	250	210	18*8	191,8	195,3	111,6	
DN150	6"	130		200	285	240	22*8	262,7	330,3	188,7	
DN200	8"	150		230	340	295	22*12	453,5	229,3	131,0	
DN250	10"	165		245	405	355	26*12	698,4	171,4	97,9	
DN300	12"	165		245	460	410	26*12	967,0	627,9	418,6	
DN350	14"	170		255	520	470	26*16	1149,6	807,1	448,4	
DN400	16"	170		255	580	525	30*16	1517,7	701,6	400,9	
DN450	18"	185		270	640	585	30*20	1884,2	836,0	477,7	
DN500	20"	195		285	715	650	33*20	2282,5	1043,5	695,7	

** X value represents axial movement. Please contact our technical department for different movement requirements.
** Flange diameters are according to PN16 pressure class.