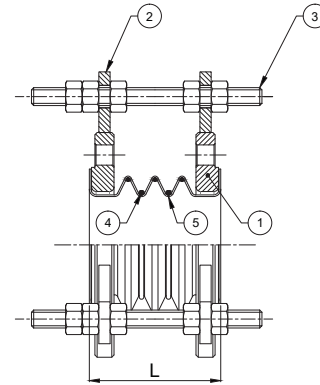


Technical Specifications

- DN25-...-DN2200 diameters,
- Improved special design for highly corrosive fluids(hydrochloric acid, nitric acid, liquid chlorine, sulfuric acid etc.),
- Rigid working opportunity with cast steel body,
- Minimum 3mm teflon coating on stainless steel,
- Better leak proofing and ease of assembly with wider sealing surface,
- Better maintenance with two part body,
- 100% leak test before delivery,,
- Manufacturing in DIN and ANSI norms.



Application Areas

- Chemical and petrochemical plants,
- Chlorine-Alkali plants,
- Hydrochloric / Sulfuric acid etc. corrosive applications,
- Fertilizer factories,
- Mining industry,
- Ship industry

Part Number	Specifications	
	Name	Material
1	Flange	1.0038 (S235JR / St 37-2)
2	Tie-Rod Holder	1.0038 (S235JR / St 37-2)
3	Tie-Rod	1.0038 (S235JR / St 37-2)
4	Reinforce Ring	Stainless Steel
5	Bellows	Teflon (Min. 3mm)

Materials		Design Parameters	
Bellows	PTFE (Teflon)	Design Pressure	0,03-...-0,4 MPa
Flanges	Cast steel, Stainless Steel	Diameters	DN25-...-DN2200
Clack	Stainless Steel	Design Standards	DIN, ANSI

DN	L (mm)	Axial Movement (mm)	Lateral Movement ΔY (mm)	Angular Movement ΔΘ (mm)	Nominal Pressure (bar)
25	100	± 15	8	25	4 / -0,9
32	100	± 15	10	25	4 / -0,9
40	100	± 18	14	25	4 / -0,9
50	100	± 18	15	25	4 / -0,9
65	110	± 20	16	25	3,5 / -0,9
80	120	± 20	16	25	3,5 / -0,9
100	120	± 25	17	20	3 / -0,9
125	130	± 27	17	18	3 / -0,9
150	140	± 27	16	15	3 / -0,9
200	150	± 27	15	13	2,5 / -0,9
250	160	± 27	12	10	2,5 / -0,9
300	170	± 27	8	5,5	2,5 / -0,9