

KCR-1000 W-Band (EHF), 120 GHz Level / Compact Radar Gauge

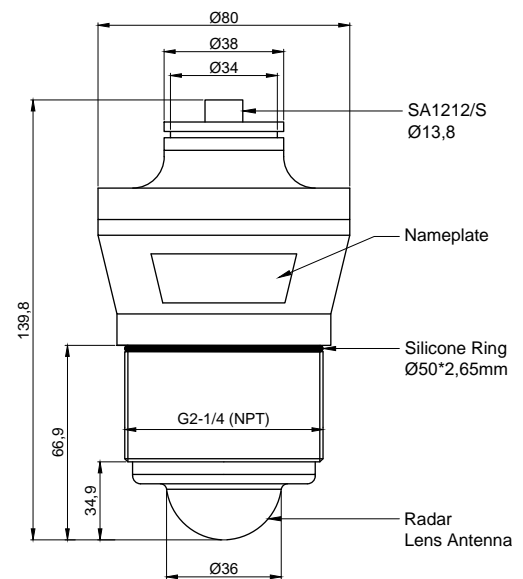
Specifications:

- Non-contact W-band radar technology is characterized by a particularly high measurement accuracy. The measurement is not affected by changing medium properties or by changing process conditions such as temperature, pressure or intense dust generation. User-friendly adjustment without vessel filling and emptying saves time and the sensors are maintenance free.



Applications:

- KCR-1000 radar sensors are used for non-contact level measurement of liquids and bulk solids. They measure all kinds of liquids, even under high pressure and extreme temperatures, in solvents as well as aggressive liquids, they are also suitable for use in applications with stringent hygiene requirements.
- KCR-1000 can also measure the lightest to the heaviest of bulk solids with absolute reliability, even in the presence of dust and noise, without being affected by buildup or condensation. Suitable for liquids and bulk solids in simple process conditions.



	KCR-1000-R	KCR-1000-A	KCR-1000-H
Measuring Range	Up to 18m	Up to 18m	Up to 40m
Beam Angle (α)	5°	5°	5°
Process Connection	Thread G2-1/4 G2-1/4 NPT	Thread G2-1/4 G2-1/4 NPT	Thread G2-1/4 G2-1/4 NPT
Meas. Frequency	120GHz	120GHz	120GHz
Sensor Material	POM / PVDF (Option)	POM / PVDF (Option)	POM / PVDF (Option)
Housing Material	POM / PVDF (Option)	POM / PVDF (Option)	POM / PVDF (Option)
Ingress Protection	IP68 (3 bar) acc. To IEC 60529	IP68 (3 bar) acc. To IEC 60529	IP68 (3 bar) acc. To IEC 60529
Ambient Temp.	(-40 ... +80 °C)	(-40 ... +80 °C)	(-40 ... +80 °C)
Process Temp.	(-40 ... +80 °C)	(-40 ... +80 °C)	(-40 ... +80 °C)
Operating Pressure	(-1 ... +3 bar)	(-1 ... +3 bar)	(-1 ... +3 bar)
Power Supply	9 ~ 38 VDC	12 ~ 38 VDC	16 ~ 40 VDC
Accuracy	± 1 mm	± 1 mm	± 3 mm
Output	RS485, SDI-12, Modbus, Relay (Option)	Two wire 4-20 mA only	Two wire 4-20 mA only / HART7
Display / Adjustment	Tools app Radar Mobile Manager and Radar PC Manager		
No. Of Cable Entries	1 PVC Insulated Cable		
Bluetooth Standard	Bluetooth 5.0 (Downward compatible to bluetooth 4.0 LE), range 40m		